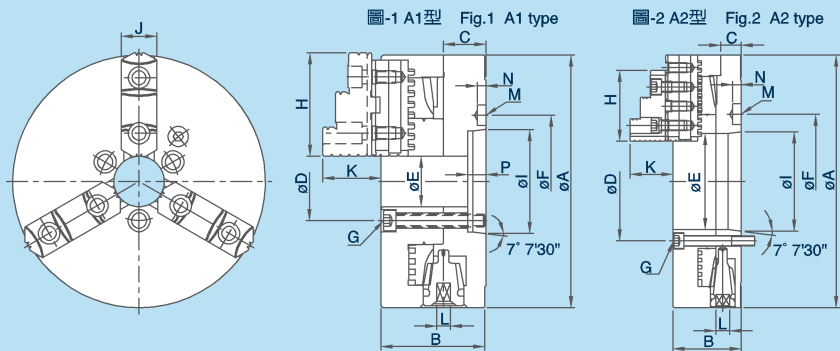


A1(A2) 3-JAW A1(A2) TYPE CHUCKS

直裝型三爪夾頭

尺寸圖 » Dimensions



規格表 » Specifications

單位/UNIT:mm

型式/規格 MODEL /SPEC.	A	B	C	D	E	F	G	H	I	J	K	L	P	M	N	參考圖 Reference Drawing	最高迴轉速 Max.Speed r.p.m.(min ⁻¹)	把握範圍 Max.Gripping Diameter		淨重 Weight (kg)
																		外徑把握 O.D. Clamping	內徑把握 I.D. Clamping	
A15-08"	200	83	33.5	61.9	40	∅104.8	3-M10x1.5P	82	82.563	28	43	11	14.29	∅16.3	6.8	圖-1 fig.1	2000	∅8-∅180	∅62-∅170	17.4
A16-08"	200	83	33.5	82.6	56	∅133.4	3-M12x1.75P	82	106.375	28	43	11	15.88	∅19.3	6.8	圖-1 fig.1	2000	∅8-∅180	∅62-∅170	18
A16-10"	255	91.5	36.5	82.6	56	∅133.4	3-M12x1.75P	93	106.375	32	50	12	15.88	∅19.3	6.8	圖-1 fig.1	1800	∅11-∅240	∅70-∅230	30.6
A211-20"	500	135	40	235	190.5	∅235	6-M20x2.5P	140	196.869	55	84	19	--	∅29.4	10.7	圖-2 fig.2	1000	∅25-∅480	∅125-∅460	161.5