

TK, TK-T SUPER PRECISION AIR CHUCKS

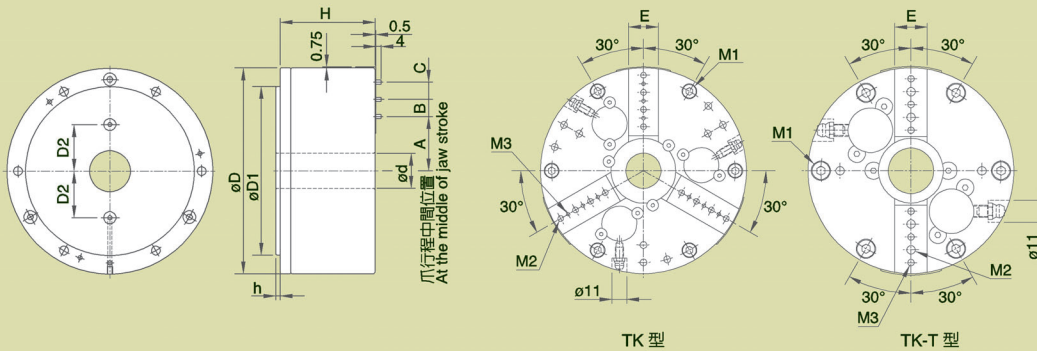
超精密氣壓夾頭

1. 預設治具孔及預留自動潤滑管道：爪殼預設治具孔，有額外固定需要時不須再追加加工；且預留自動潤滑管道，可與自動潤滑裝置連結。
2. 內藏式汽缸：汽缸與夾盤直結設計，確保作動及夾持的穩定性。
3. 生爪精密定位：設有定位銷使生爪在重複拆裝時仍保持良好的定位精度。
4. 超高精度夾持提高工作效率：夾持工件的同軸度及重覆夾持精度可達 μ 級，簡化操作，實現高效率的精密加工。



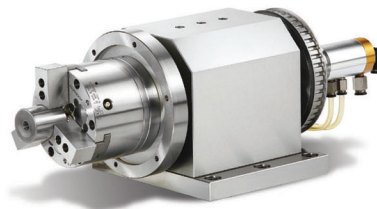
1. **Pre-machined tapped holes and lubrication path:**
There are tapped holes for fixing jigs, thus, additional screw machining is not necessary, and pre-machined lubrication path can connect to auto-lubrication unit to lubricate the chuck automatically.
2. **Built-in Cylinder:** Connect cylinder directly to the chuck for stable gripping.
3. **Precise soft jaw positioning:**
It's easy to remount soft jaw to the correct position with dowel pins on it.
4. **High gripping precision brings better quality and efficiency:**
Good coaxiality and repeatability of gripping are able to achieve the accuracy of " μ degree" machining processes can be simplified or shortened to make high precision machining with high efficiency come true.

尺寸圖 » Dimensions



本產品精密度可達 μ 級
This product reaches the repeatability of " μ degree"

應用範例 » Operation Example



規格表 » Specifications

單位/UNIT:mm

型式/規格 MODEL /SPEC.	A	B	C	D	D1	d (H7)	D2	H	h	E	M1
TK-04	20.75	12.7	12.7	101.6	82.55	18	25	70.3	3.2	16	6-M5x0.8P(PCD ϕ 88.9)
TK-06	39.75	12.7	12.7	152.4	124.97	26	34.5	70.3	3.2	22	6-M6x1P(PCD ϕ 135.89)
TK-08	65.75	25.4	--	203.2	167.64	50	50	99.5	7.0	25	6-M10x1.5P(PCD ϕ 182.88)
TK-04T	20.75	12.7	12.7	101.6	82.55	18	25	70.3	3.2	16	6-M5x0.8P(PCD ϕ 88.9)
TK-06T	39.75	12.7	12.7	152.4	124.97	26	34.5	70.3	3.2	22	6-M6x1P(PCD ϕ 135.89)
TK-08T	65.75	25.4	--	203.2	167.64	50	50	99.5	7.0	25	6-M10x1.5P(PCD ϕ 182.88)
型式/規格 MODEL /SPEC.	M2	M3	爪行程(直徑) Jaw Stroke [Diameter] (mm)		空壓夾持力 Gripping Force At Air Pressure 7kgf/cm ² (0.7MPa) kgf (kN)		最高迴轉速 Max.Speed r.p.m.(min ⁻¹)	淨重 Weight (kg)			
TK-04	6-M5x0.8P	9- ϕ 3.18	3		800 (7.8)		4500	4.4			
TK-06	12-M5x0.8P	9- ϕ 3.18	3		1200 (11.7)		4200	9.8			
TK-08	6-M10x1.5P	6- ϕ 6.36	3		1800 (17.6)		2500	26.3			
TK-04T	4-M5x0.8P	6- ϕ 3.18	3		800 (7.8)		3500	4.2			
TK-06T	8-M5x0.8P	6- ϕ 3.18	3		1200 (11.7)		3500	9.5			
TK-08T	4-M10x1.5P	4- ϕ 6.36	3		1800 (17.6)		2000	25.1			