

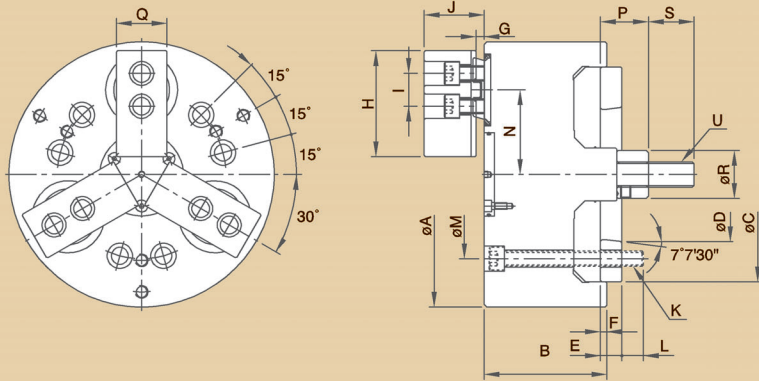
後拉式油壓夾頭

後拉式油壓夾頭作徑向夾持同時強力後拉，工件不會上浮，適用於鑄件及鍛件的加工。

1. 後拉式夾持將工件緊貼在基準面上，使夾持穩固，適於重切削。
2. 圓柱滑動結構，可長期使用，並確保重覆夾持的優異精度。
3. 準確的自定中心及強力夾持工件不上浮特性，要求長度精準的加工最適宜。
4. 可採用到位偵測，配合自動化系統。



尺寸圖 » Dimensions



Pull back feature of radial gripping will lead to almost no work piece uplifting displacement; CHANDOX Pull Back Power Chucks are ideal for machining casting and forging parts;

1. By appressing the gripped work piece to the surface, CHANDOX Pull Back Power Chucks are suitable for heavy machining.
2. Chuck Actuators with cylindrical structure are durable and ensures high gripping repeatability.
3. Accurate self-centering and pull back features are adequate for precise length control machining requirements.
4. Optional components can be selected for detecting the right position on an automated loading machine.

規格表 » Specifications

單位/UNIT:mm

| 型式/規格 MODEL /SPEC. | A | B | C | D | E | F | G max. | G min. | H | J max. | J min. |
|--------------------------|-----|-----|-----|---------|----|---|-----------|-----------|-----|-----------|-----------|
| PL-06 | 169 | 83 | 140 | 82.563 | 15 | 5 | 15 | 5 | 70 | 46 | 36 |
| PL-08 | 210 | 97 | 170 | 106.375 | 17 | 5 | 16.5 | 6.5 | 84 | 57 | 47 |
| PL-10 | 254 | 110 | 220 | 139.719 | 18 | 5 | 22 | 6 | 100 | 68 | 52 |
| PL-12 | 304 | 125 | 220 | 139.719 | 18 | 5 | 21.5 | 5.5 | 120 | 72.5 | 56.5 |

| 型式/規格 MODEL /SPEC. | I | K | L | M | N max. | N min. | P max. | P min. | Q | R |
|--------------------------|----|-------------|----|-------|-----------|-----------|-----------|-----------|----|----|
| PL-06 | -- | 6-M10x1.5P | 14 | 104.8 | 56.65 | 54 | 33 | 23 | 35 | 32 |
| PL-08 | 26 | 6-M12x1.75P | 17 | 133.4 | 69.65 | 67 | 38 | 28 | 40 | 38 |
| PL-10 | 32 | 6-M16x2P | 24 | 171.4 | 87.8 | 82 | 48 | 32 | 50 | 50 |
| PL-12 | 36 | 6-M16x2P | 20 | 171.4 | 102.8 | 97 | 47 | 31 | 60 | 52 |

| 型式/規格 MODEL /SPEC. | S | U | 柱塞行程 Plunger Stroke (mm) | 爪行程直徑 Jaw Stroke (Diameter) mm | 最高迴轉速 Max.Speed r.p.m.(min ⁻¹) | 最大拉力 Max. Pull Force kgf (kN) |
|--------------------------|----|----------|--------------------------------|--------------------------------------|--|-------------------------------------|
| PL-06 | 36 | M16x2P | 10 | 5.3 | 3500 | 1420 (14) |
| PL-08 | 36 | M20x2.5P | 10 | 5.3 | 3000 | 2240 (22) |
| PL-10 | 46 | M24x3P | 16 | 11.6 | 2500 | 3160 (31) |
| PL-12 | 50 | M27x3P | 16 | 11.6 | 2000 | 4480 (44) |

| 型式/規格 MODEL /SPEC. | 最大靜夾持力 Max. Gripping Force kgf (kN) | 最大設定油壓壓力 Max. Hydr. Pressure kgf/cm ² (MPa) | 夾持範圍 Gripping Range | 搭配油壓缸型號 Matching Cylinder | 淨重 Weight (kg) |
|--------------------------|---|--|---------------------------|---------------------------------|----------------------|
| PL-06 | 2950 (29) | 22 (2.2) | φ35~φ160 | L1020 | 15.4 |
| PL-08 | 4890 (48) | 22 (2.2) | φ40~φ210 | L1225 | 27.8 |
| PL-10 | 4990 (49) | 30 (2.9) | φ50~φ254 | L1225 | 45.9 |
| PL-12 | 7240 (71) | 30 (2.9) | φ50~φ304 | L1530 | 75.7 |